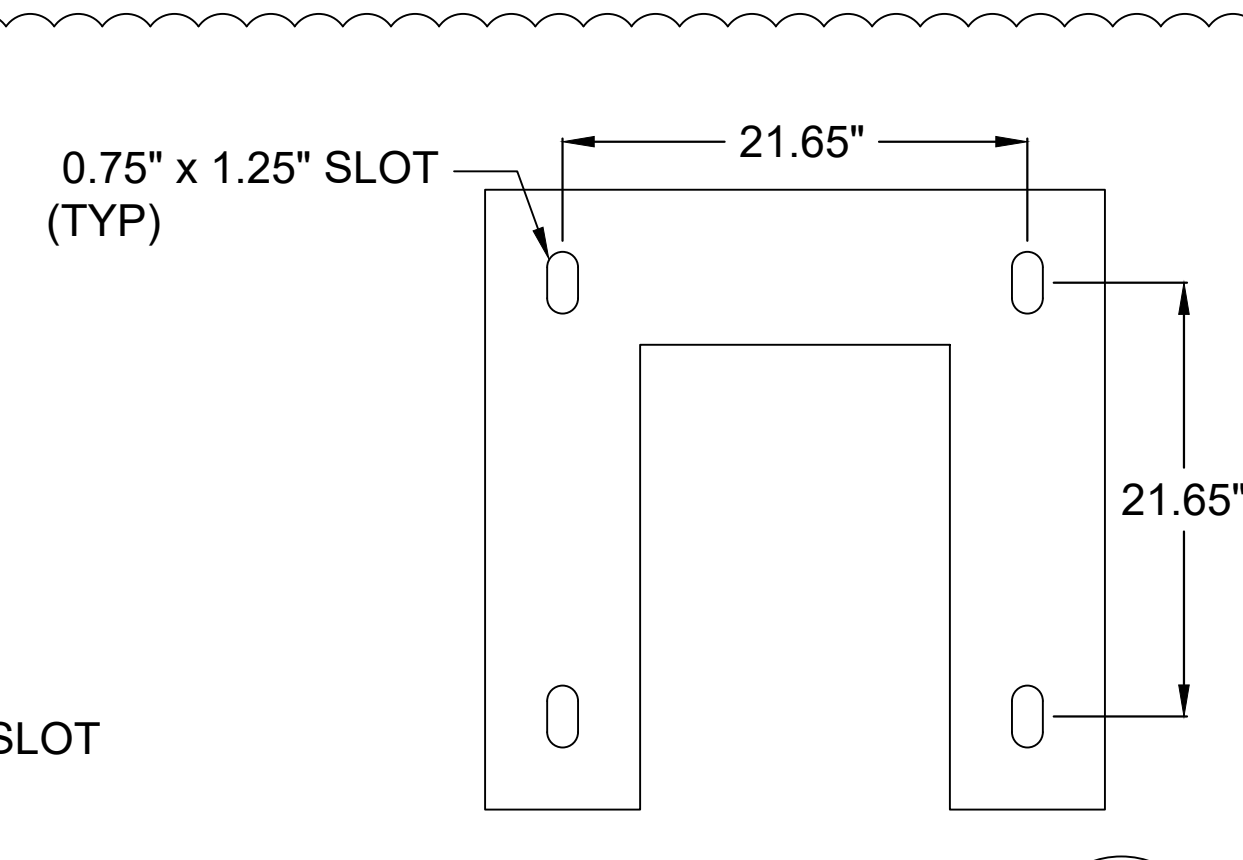
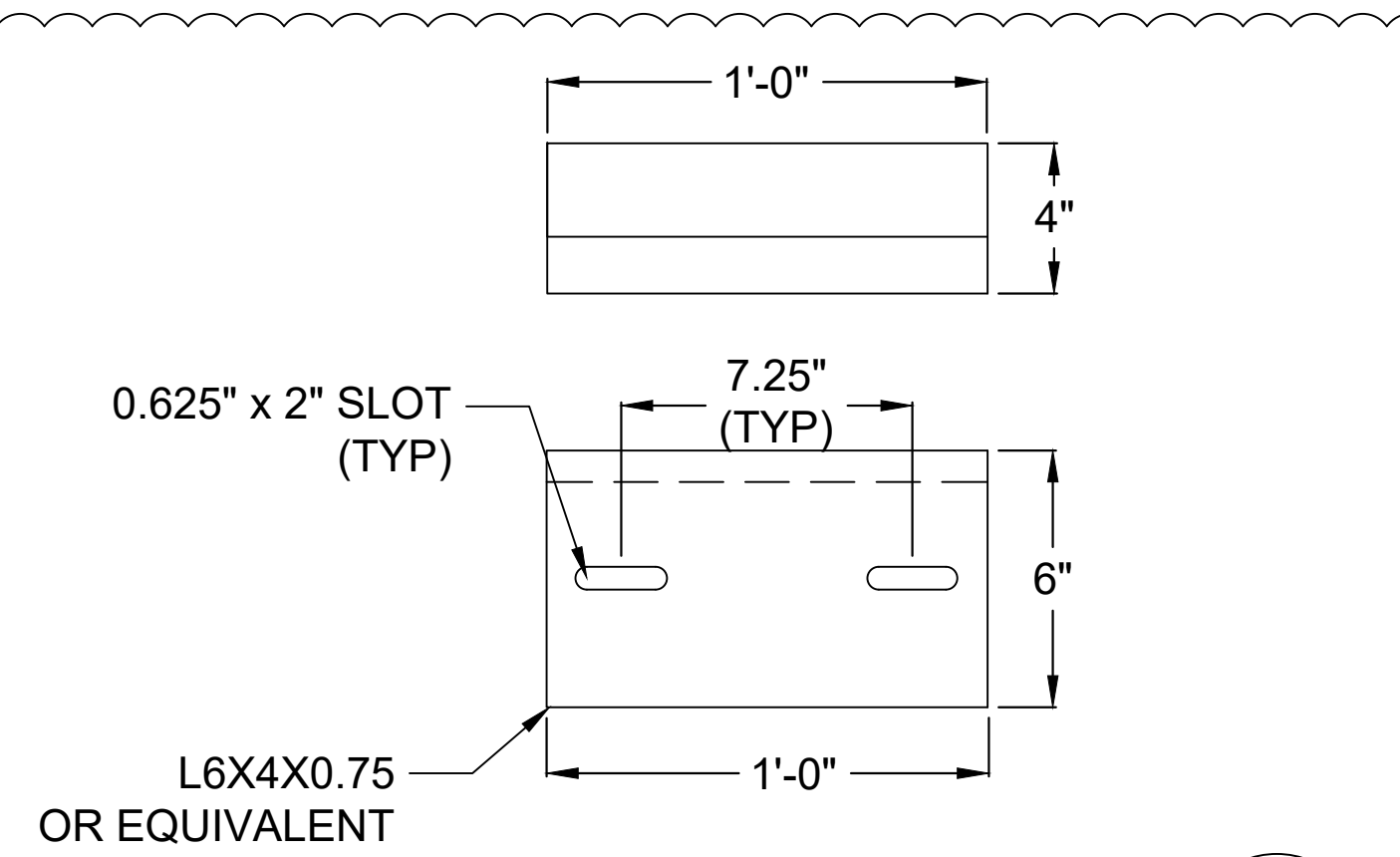


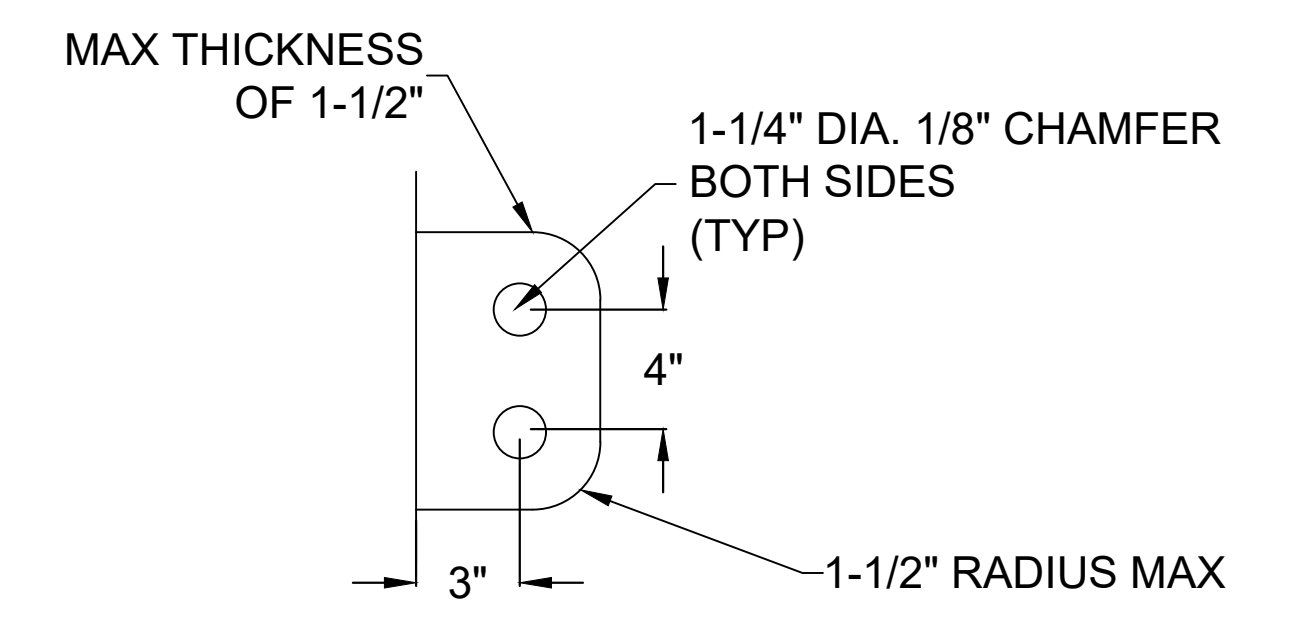
DETAIL 1
SURGE ARRESTER SUPPORT



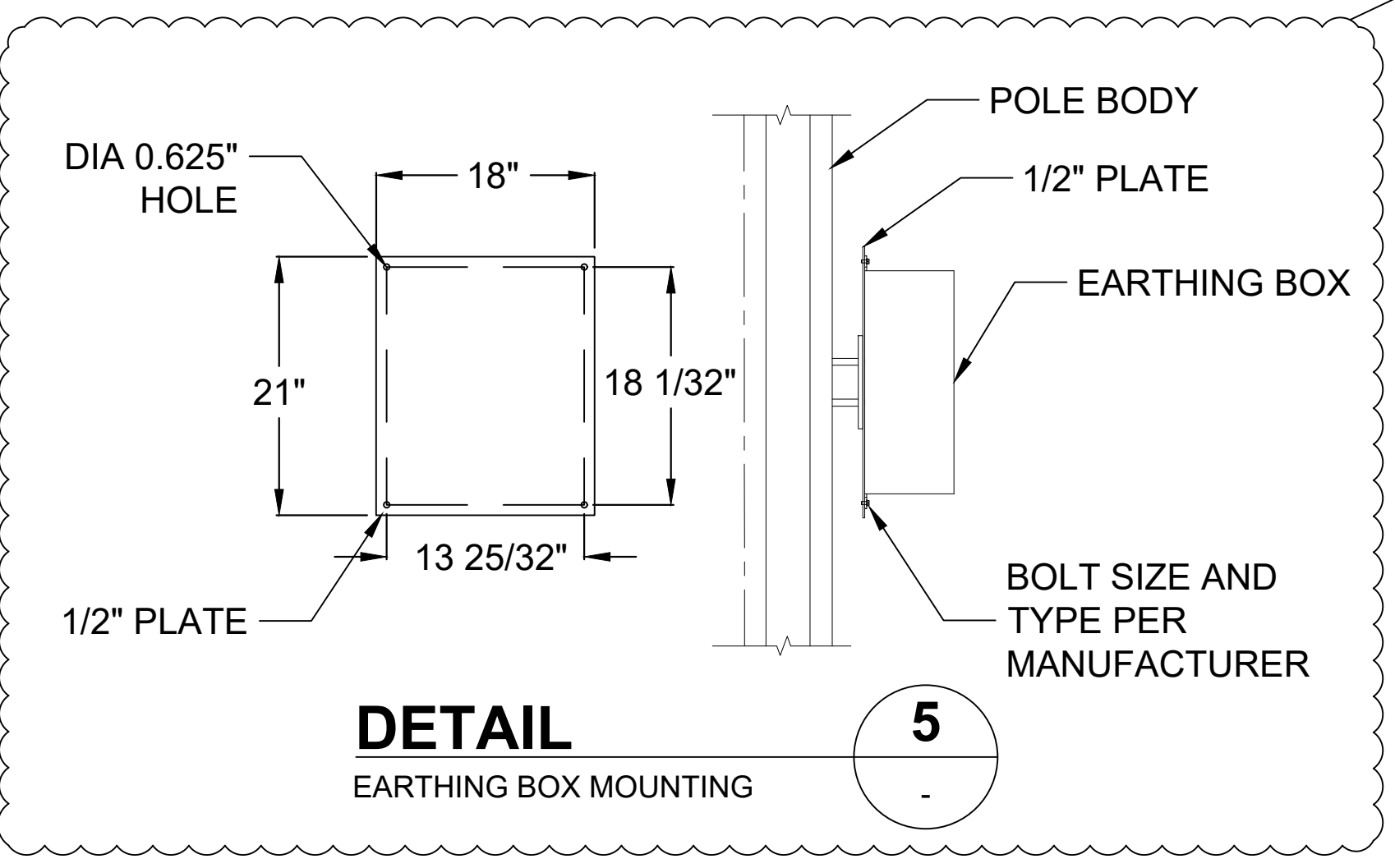
DETAIL 2
TERMINAL SUPPORT



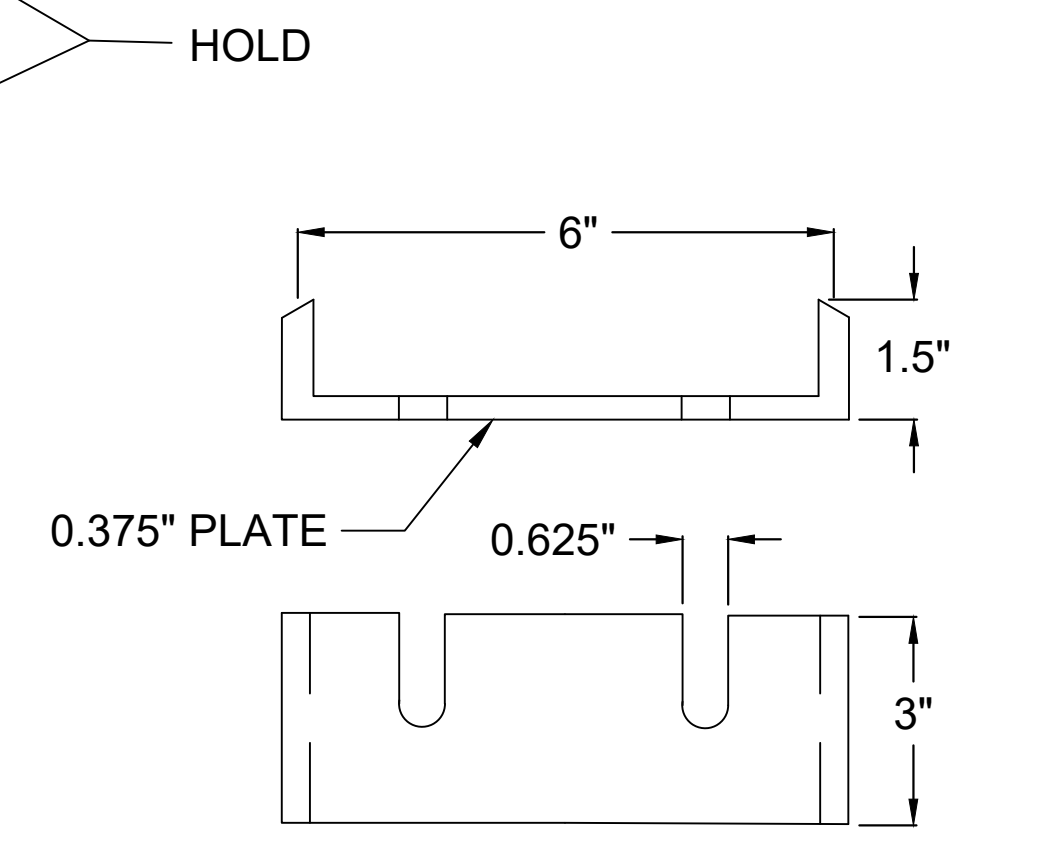
DETAIL 3
SUPPORT BRACKET
(FACE 1)



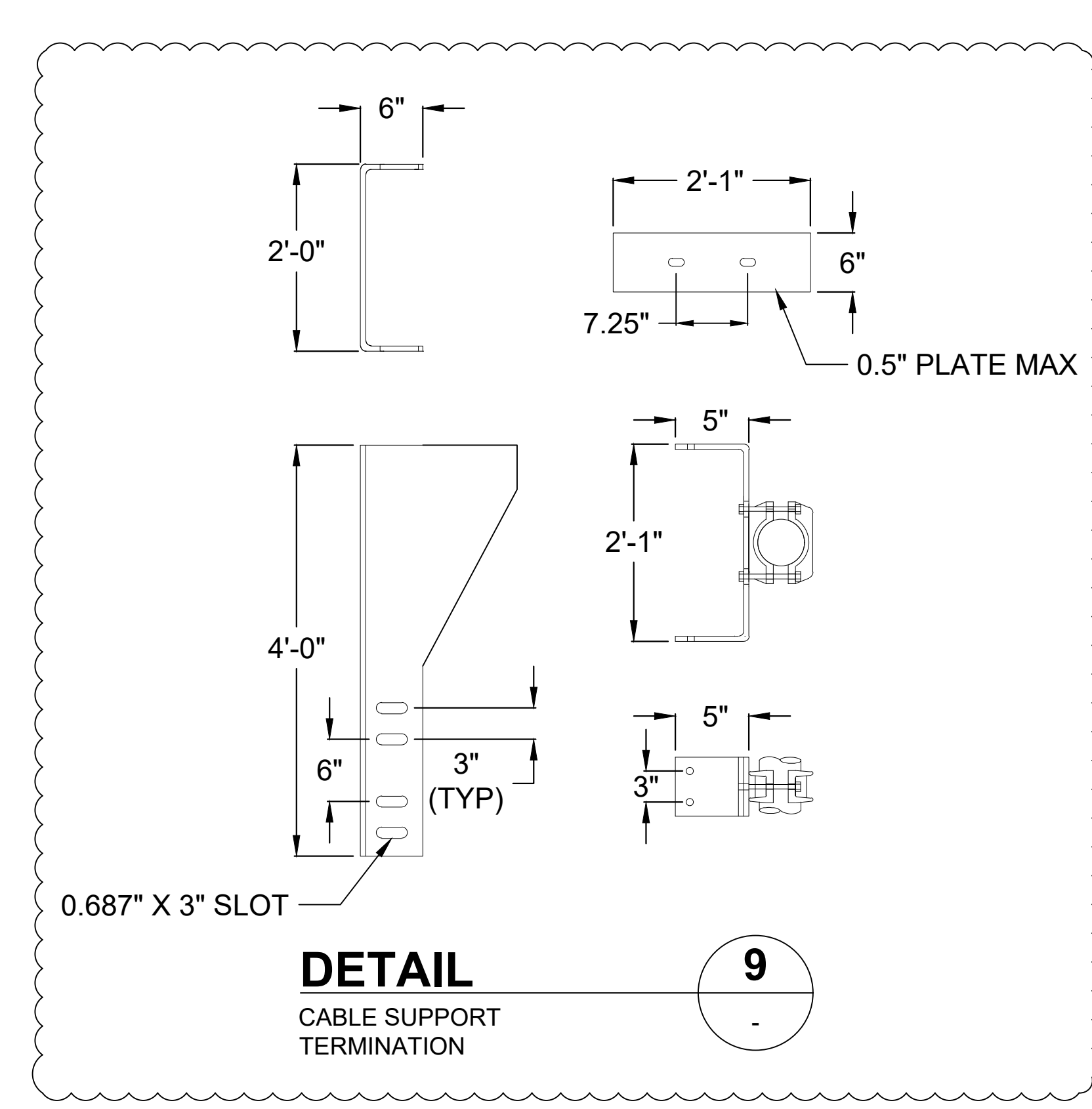
DETAIL 4
CONDUCTOR VANG



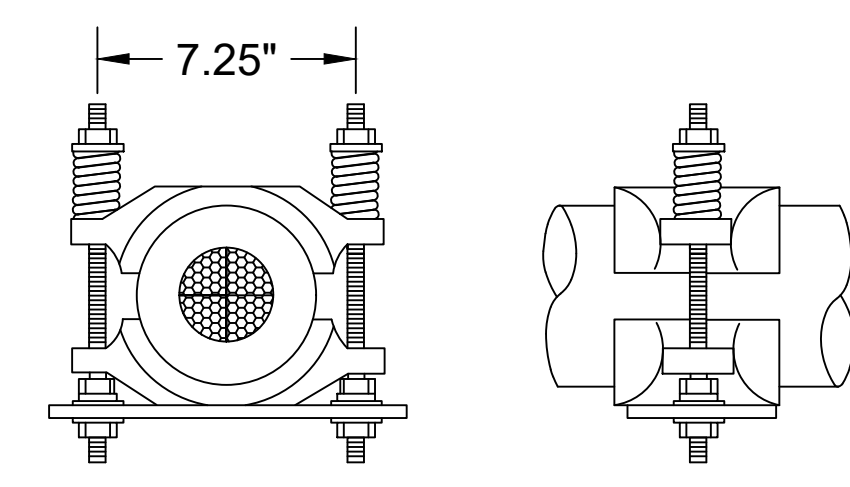
DETAIL 5
EARTHING BOX MOUNTING



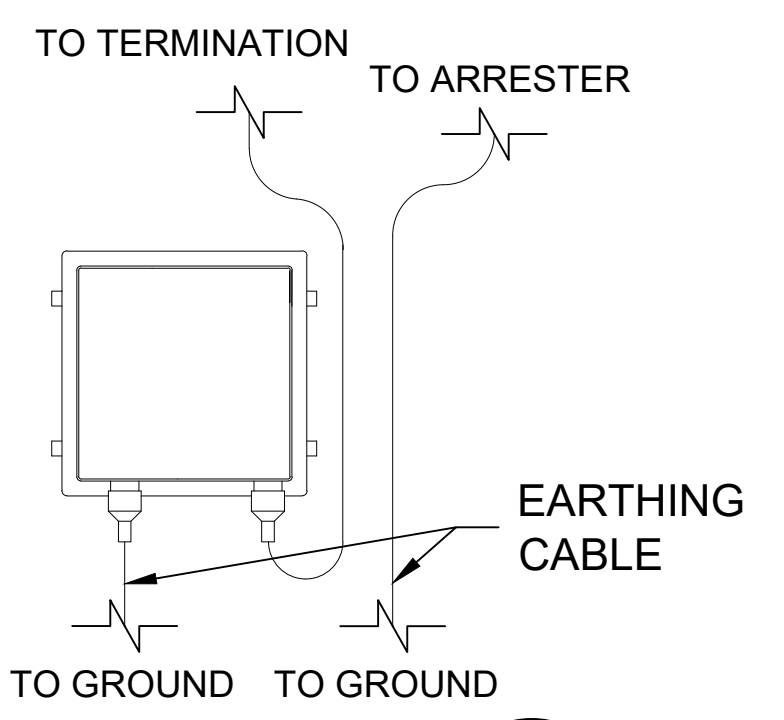
DETAIL 6
DOUBLE BOND WIRE BRACKET



DETAIL 9
CABLE SUPPORT
TERMINATION



DETAIL 7
CABLE CLAMP
(BY CABLE MANUFACTURER)



DETAIL 8
EARTHING BOX GROUNDING
(BY CABLE MANUFACTURER)

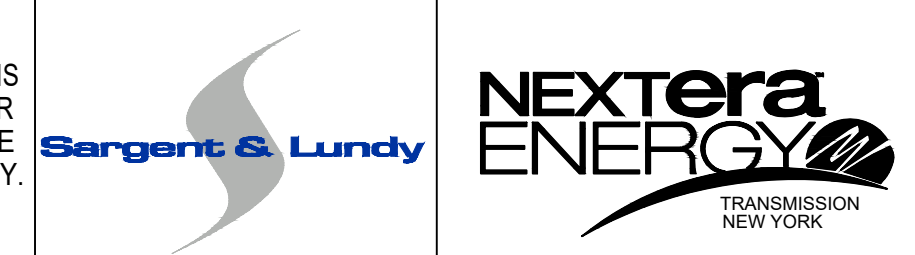
PRELIMINARY
NOT FOR CONSTRUCTION

NO	DATE	REVISIONS AND RECORD OF ISSUE	DRWN	REV'D	APPR	COMP	APP'D	KVP	DATE	12/13/2019
C	06/18/2020	PRELIMINARY - ISSUED FOR REVIEW	DIV	JDJ	KVP	S&L				
B	02/27/2020	PRELIMINARY - ISSUED FOR BID	DIV	JDJ	KVP	S&L				
A	12/13/2019	PRELIMINARY - EMCP	DIV	JDJ	KVP	S&L				

SCALE:
NONE

CONTRACTOR/INSTALLER SHALL TAKE ALL APPROPRIATE PRECAUTIONS TO ENSURE THE SAFETY OF ALL PEOPLE LOCATED ON THE WORK SITE, INCLUDING CONTRACTOR'S /INSTALLER'S PERSONNEL (OR THAT OF IT'S SUB-CONTRACTOR(S)) PERFORMING THE WORK.

ANY MODIFICATION OR ADDITION TO THIS DRAWING BY ANY ORGANIZATION OTHER THAN SARGENT & LUNDY IS NOT THE RESPONSIBILITY OF SARGENT & LUNDY.



NEXTERA ENERGY TRANSMISSION NEW YORK, INC
EMPIRE STATE LINE
345 KV TRANSITION STRUCTURE
DETAILS

13666-003-T1-0277