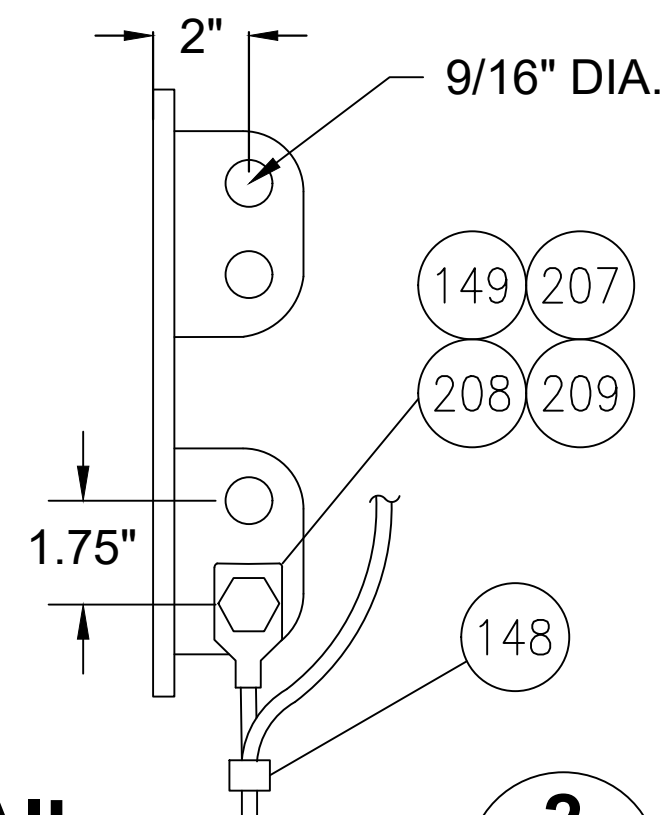
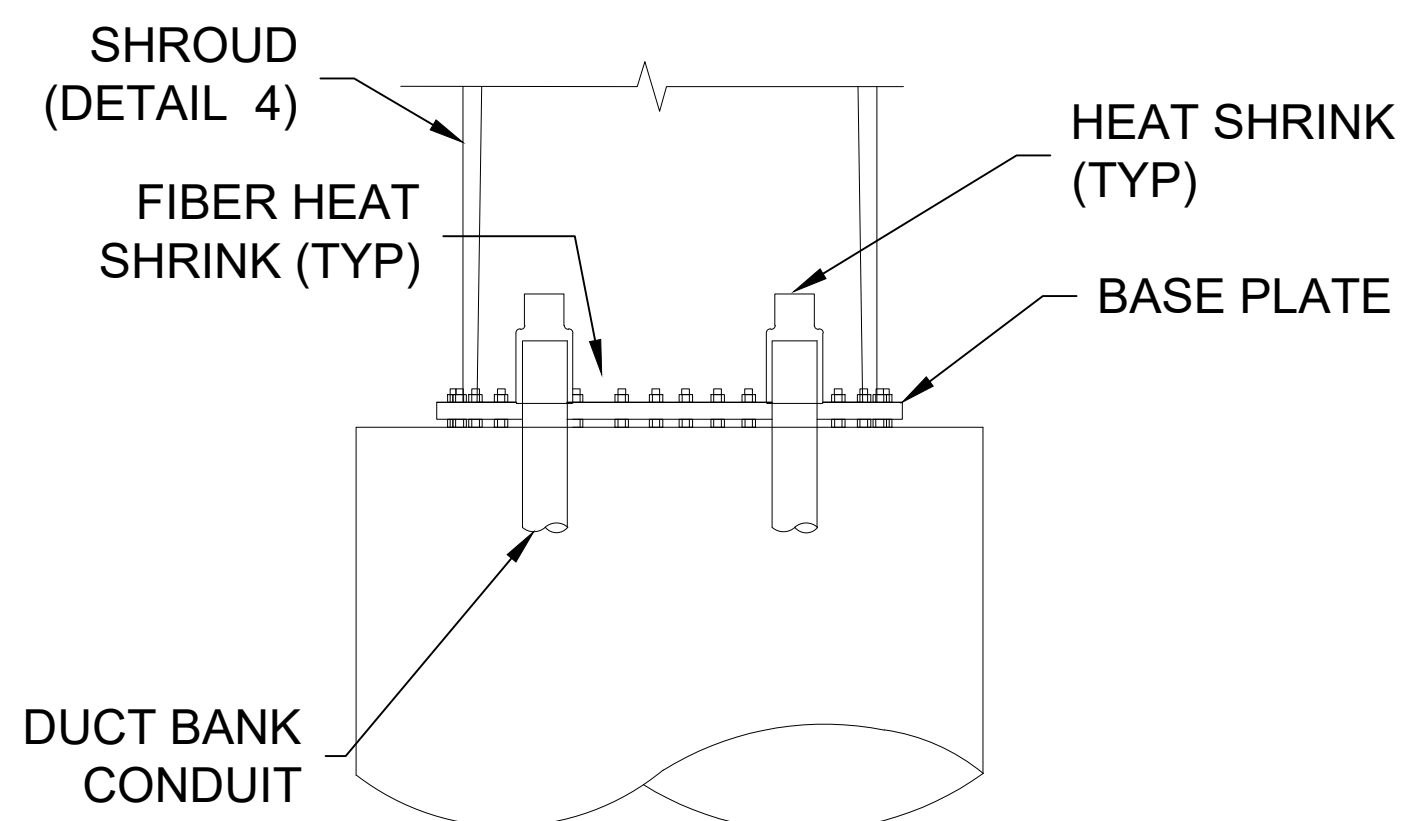


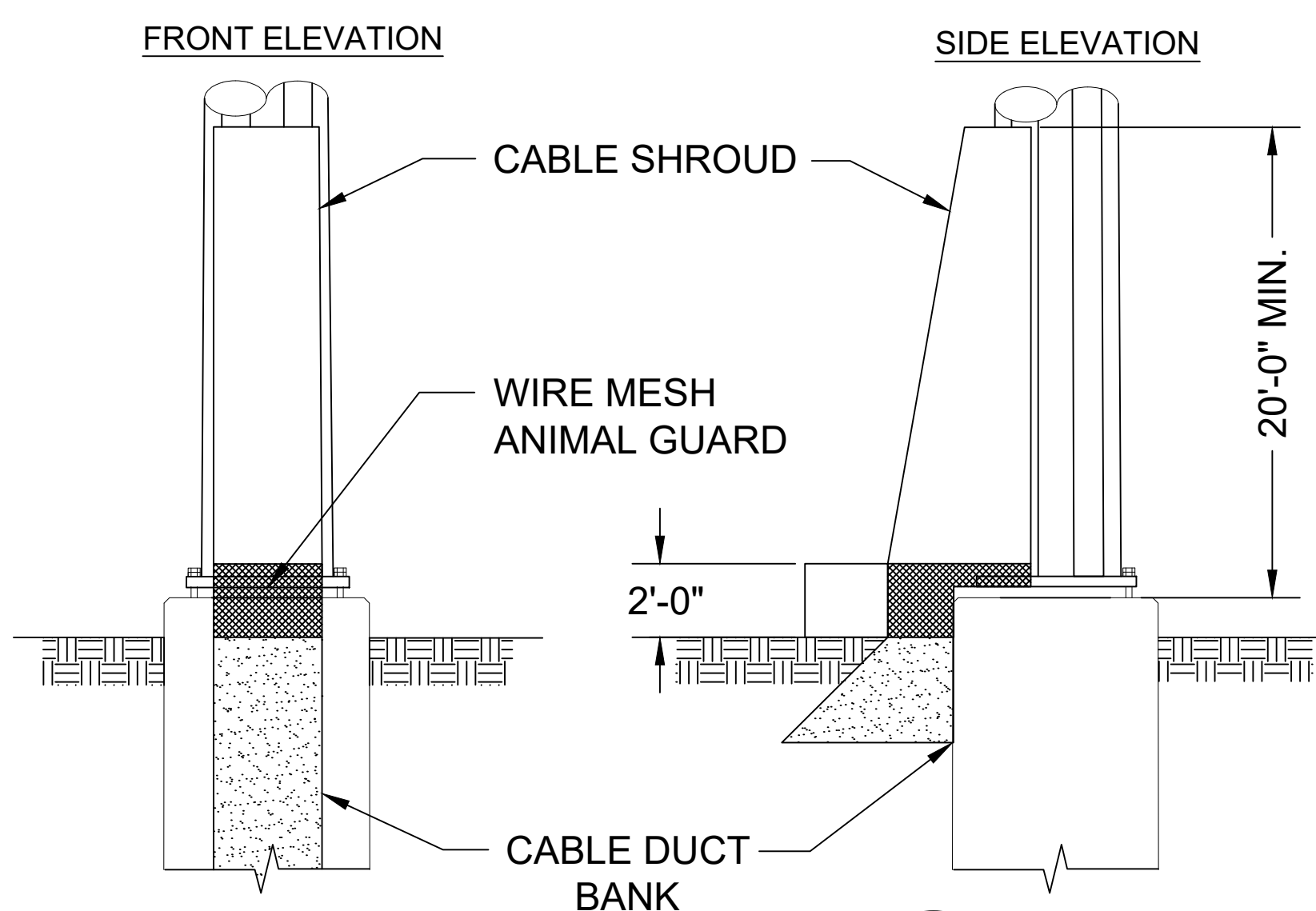
DETAIL
DEADEND ASSEMBLY
ELEVATION VIEW



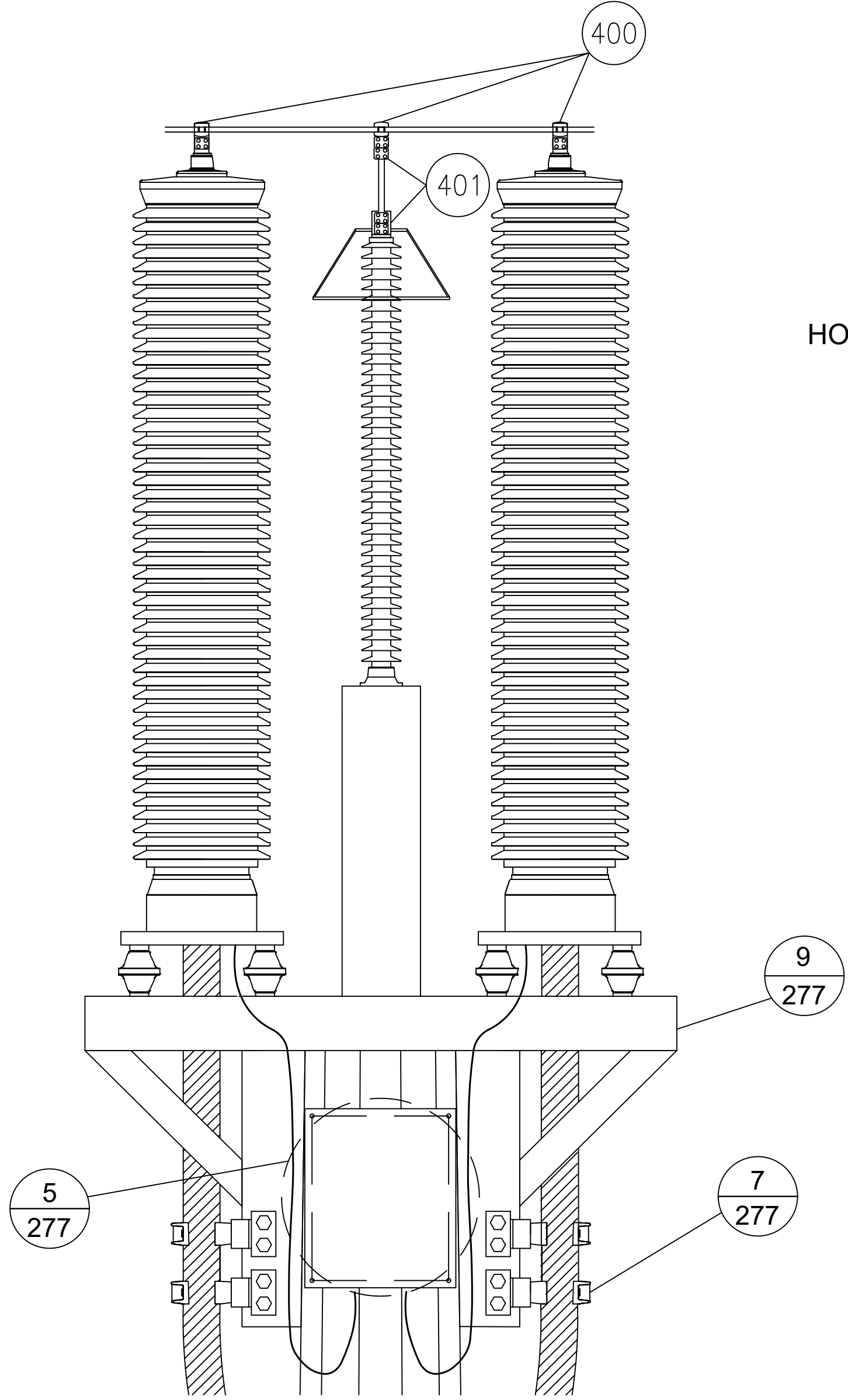
DETAIL
GROUNDING TAB
4 LOCATIONS



DETAIL
CABLE CONDUIT
(BY OTHERS)



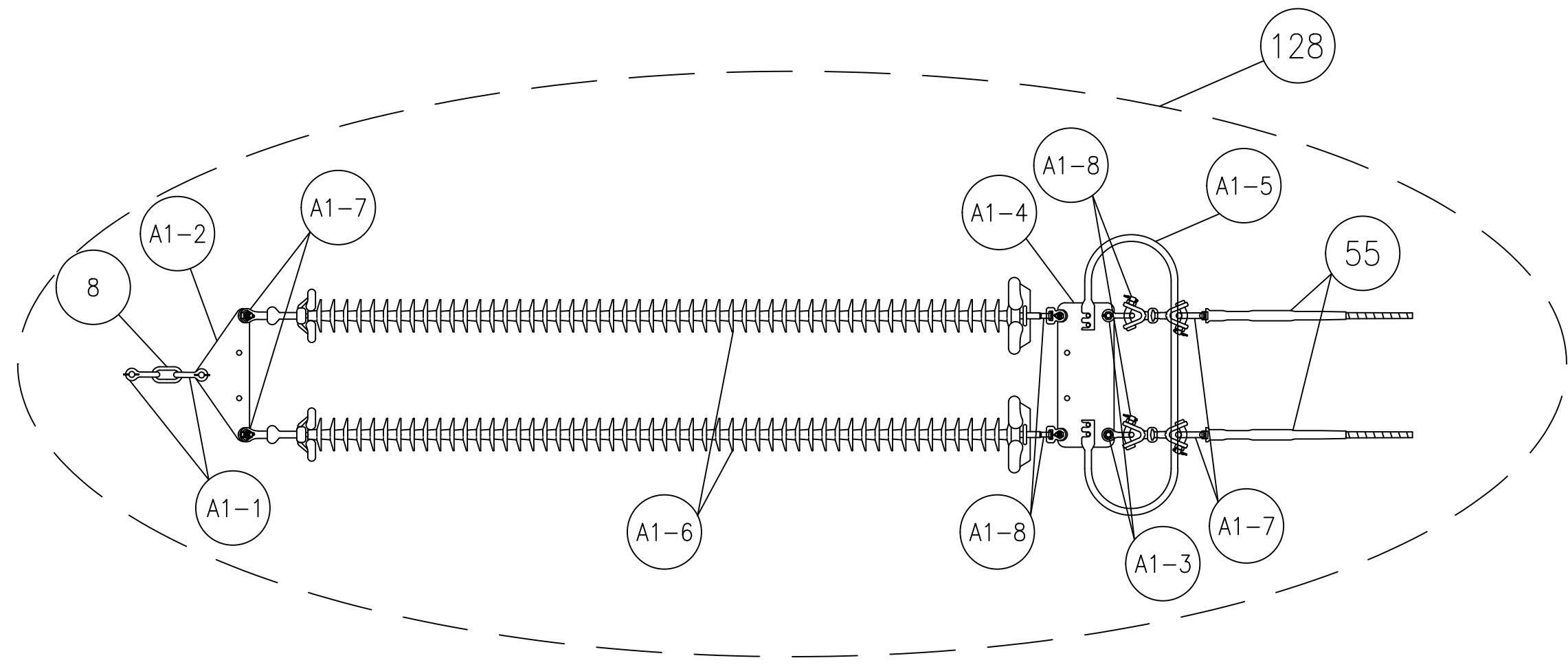
DETAIL
CABLE SHROUD



DETAIL
TERMINATION CONNECTION

BILL OF MATERIAL				
ITEM #	QTY	UNIT	DESCRIPTION	MANUFACTURER/PART #
8	6	EA	CHAIN LINK - 150K	MACLEAN CL-10
55	6	EA	DEADEND - COMPRESSION - VERTICAL - DRAKE	HUBBELL A012451SS
128	3	EA	345KV DEAD END INSULATOR ASSEMBLY A-1	MACLEAN BC-8445-7-5 OR LINDSEY R-24737
130	6	EA	345KV POLYMER SUSPENSION INSULATOR - 50K	NGK 502-SS1100-SK-43
148	4	EA	CONNECTOR: #6 - #2 CU - #6 - #2 CU, COMPRESSION C-TAP	BURNDY YGHC2C2
149	4	EA	CONNECTOR: #6 - #2 CU - #6 - #2 CU, COMPRESSION H-TAP	BURNDY YH2C2C
207	5	EA	1/2" LOCK WASHER, GALV	HUGHES BROS SLW50
208	5	EA	3/4" LOCK NUT, GALV	PORTLAND BOLT TBD
209	5	EA	1/2" HEX NUT, GALV	HUGHES BROS. HN50
210	5	EA	1/2" - 13x2" LONG BOLT, GALV	HUGHES BROS HB62-2
249	30	FT	FLEXIBLE GROUND WIRE SIZE TBD	ALL MAKES
271	3	EA	345 KV I-STRING JUMPER ASSEMBLY	MACLEAN BC8445-11
400	12	EA	BOLTED TEE TAP, 795KCMIL	SEFCOR ACF2HV-35-4B
401	8	EA	BOLTED TERMINAL, 795KCMIL STRAIGHT	HUBBELL ACF13D
409	HOLD	FT	350 KCMIL COPPER CABLE-JACKETED	ANY MANUFACTURER
ASSEMBLY A1 - 345KV DEADEND INSULATOR ASSEMBLY				
A1-1	2	EA	ANCHOR SHACKLE, 100K, 1-1/8" BOLT	MACLEAN ASH-89-BC
A1-2	1	EA	YOKE, TRIANGULAR, DEADEND, 100K	MACLEAN Y2DT100S1800
A1-3	2	EA	ANCHOR SHACKLE, WIDE, 60K	MACLEAN ASH-66-BC
A1-4	1	EA	YOKE, RECTANGULAR, DEADEND, 100K	MACLEAN Y2DR100S1800
A1-5	1	EA	CORONA RING, 345KV	MACLEAN ASM-522-6
A1-6	2	EA	INSULATOR, 345KV, 50K, POLYMER	MACLEAN S278145VG09
A1-7	4	EA	Y-CLEVIS BALL, 50K (ANSI 52-8 & 52-11)	MACLEAN YCB-78
A1-8	4	EA	SOCKET Y-CLEVIS, 50K	MACLEAN SYCR-87-S
ASSEMBLY A10 - 345KV I-STRING JUMPER ASSEMBLY				
A10-1	1	EA	ANCHOR SHACKLE	MACLEAN ASH-66-BC
A10-2	2	EA	SOCKET Y-CLEVIS	MACLEAN SYC-56
A10-3	1	EA	STEEL YOKE PLATE	MACLEAN Y2TT040S1800
A10-4	2	EA	90° Y-CLEVIS EYE	MACLEAN RYCI-65-1750
A10-5	2	EA	CORONA FREE CLAMP	MACLEAN CFC-143-N
A10-6	1	EA	INSULATOR	MACLEAN S54080134VGS052

- *PARTS SHALL NOT BE SUBSTITUTED
- NOTES:**
- MATERIAL LIST QUANTITY IS TOTAL QUANTITY PER STRUCTURE, UNLESS NOTED OTHERWISE.
 - SUB-ASSEMBLY PART NUMBERS SHOWN FOR MACLEAN DEADEND ASSEMBLY ONLY.
 - ASSEMBLY A-1 MATERIAL LIST IS TOTAL PER ASSEMBLY.
 - CABLE SHROUD SHALL BE AT MINIMUM X'-X" WIDE, AT THE TOP SHROUD SHALL PROJECT X'-X" FOR THE CLOSEST FACE, AT THE BASE OF THE POLE SHROUD SHALL EXTEND X'-X" BEYOND THE BASE PLATE.
 - ALL UNDERGROUND CABLE AND CABLE ACCESSORIES INCLUDING GROUNDING/EARTHING CABLE SHALL BE SUPPLIED AND INSTALLED BY CABLE MANUFACTURER.
 - CABLE SHROUD, INCLUDING ALL REQUIRED HARDWARE FOR ATTACHMENT TO POLE, SHALL BE SUPPLIED BY POLE MANUFACTURER.



ASSEMBLY
DEADEND INSULATOR
ASSEMBLY

PRELIMINARY
NOT FOR CONSTRUCTION

NO	DATE	REVISIONS AND RECORD OF ISSUE	DRWN	REV'D	APPR	COMP
C	06/18/2020	PRELIMINARY - ISSUED FOR REVIEW				
B	02/27/2020	PRELIMINARY - ISSUED FOR BID				
A	12/13/2019	PRELIMINARY - EMCP				

SCALE: NONE

CONTRACTOR/INSTALLER SHALL TAKE ALL APPROPRIATE PRECAUTIONS TO ENSURE THE SAFETY OF ALL PEOPLE LOCATED ON THE WORK SITE, INCLUDING CONTRACTOR'S /INSTALLER'S PERSONNEL (OR THAT OF IT'S SUB-CONTRACTOR(S)) PERFORMING THE WORK.

ANY MODIFICATION OR ADDITION TO THIS DRAWING BY ANY ORGANIZATION OTHER THAN SARGENT & LUNDY IS NOT THE RESPONSIBILITY OF SARGENT & LUNDY.

PREP: DIV CHKD: JDJ
APPD: KVP DATE: 12/13/2019

NEXTERA ENERGY TRANSMISSION NEW YORK, INC
EMPIRE STATE LINE
345 KV TRANSITION STRUCTURE
DETAILS

13666-003-T1-0276