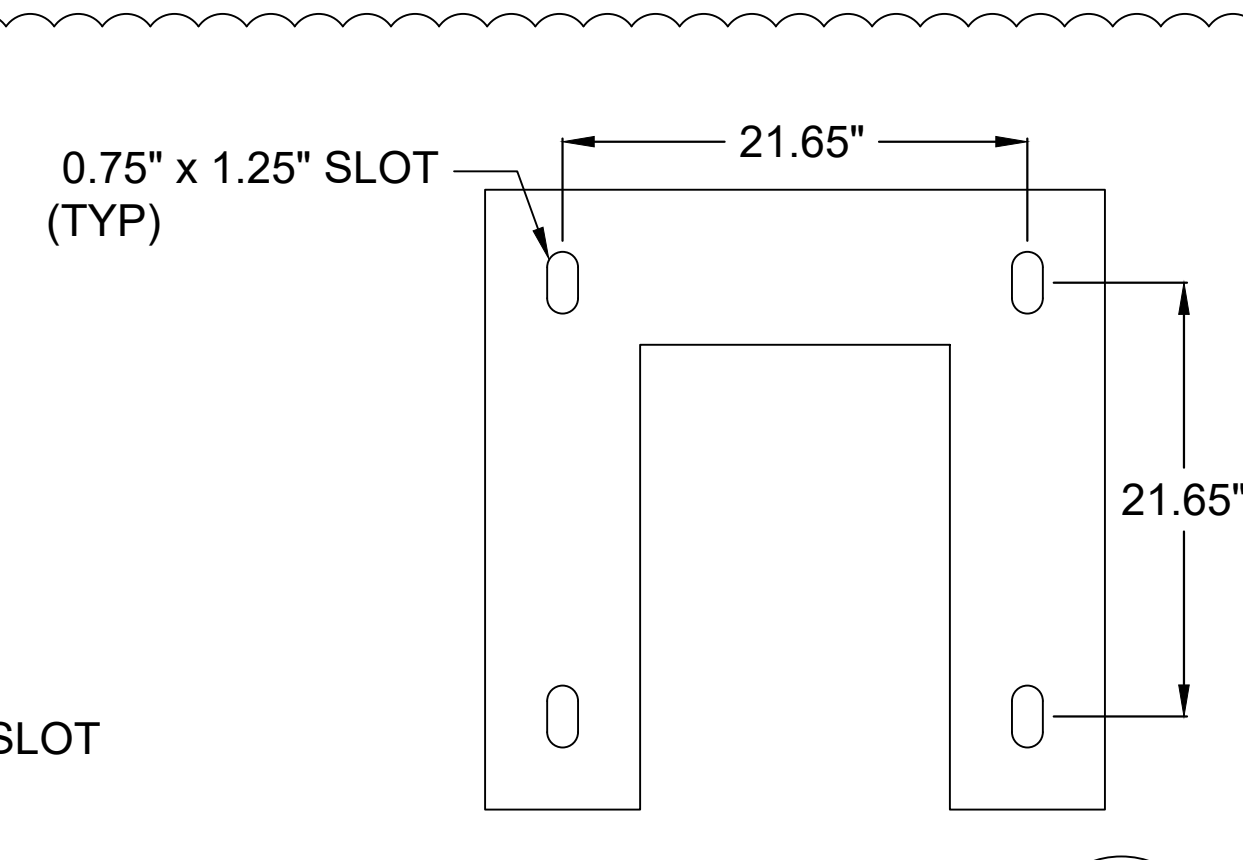
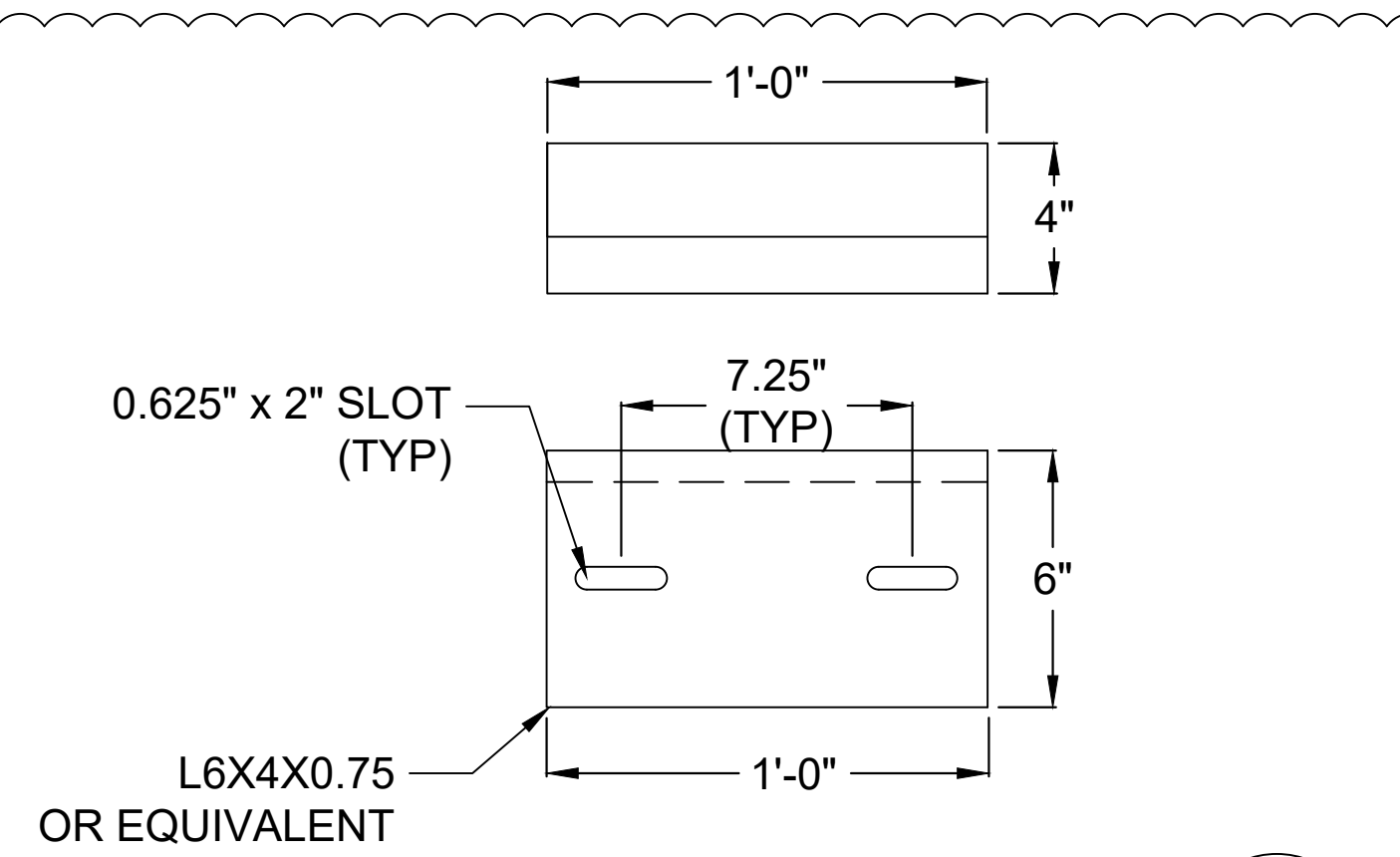


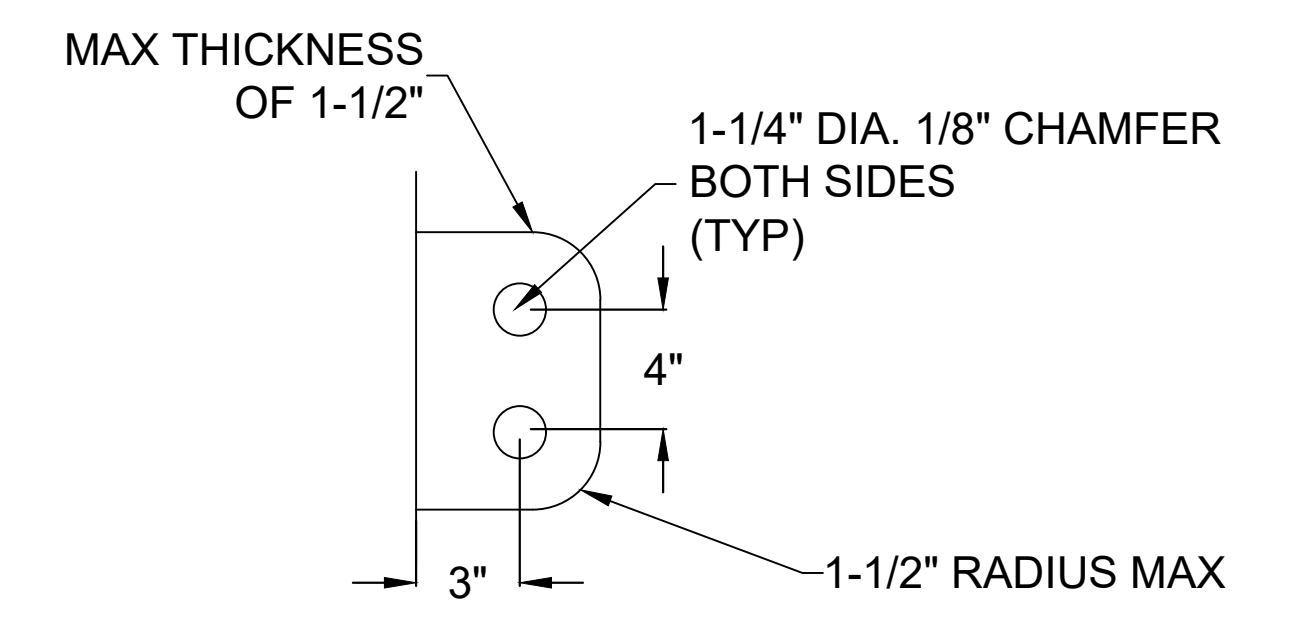
**DETAIL 1**  
SURGE ARRESTER SUPPORT



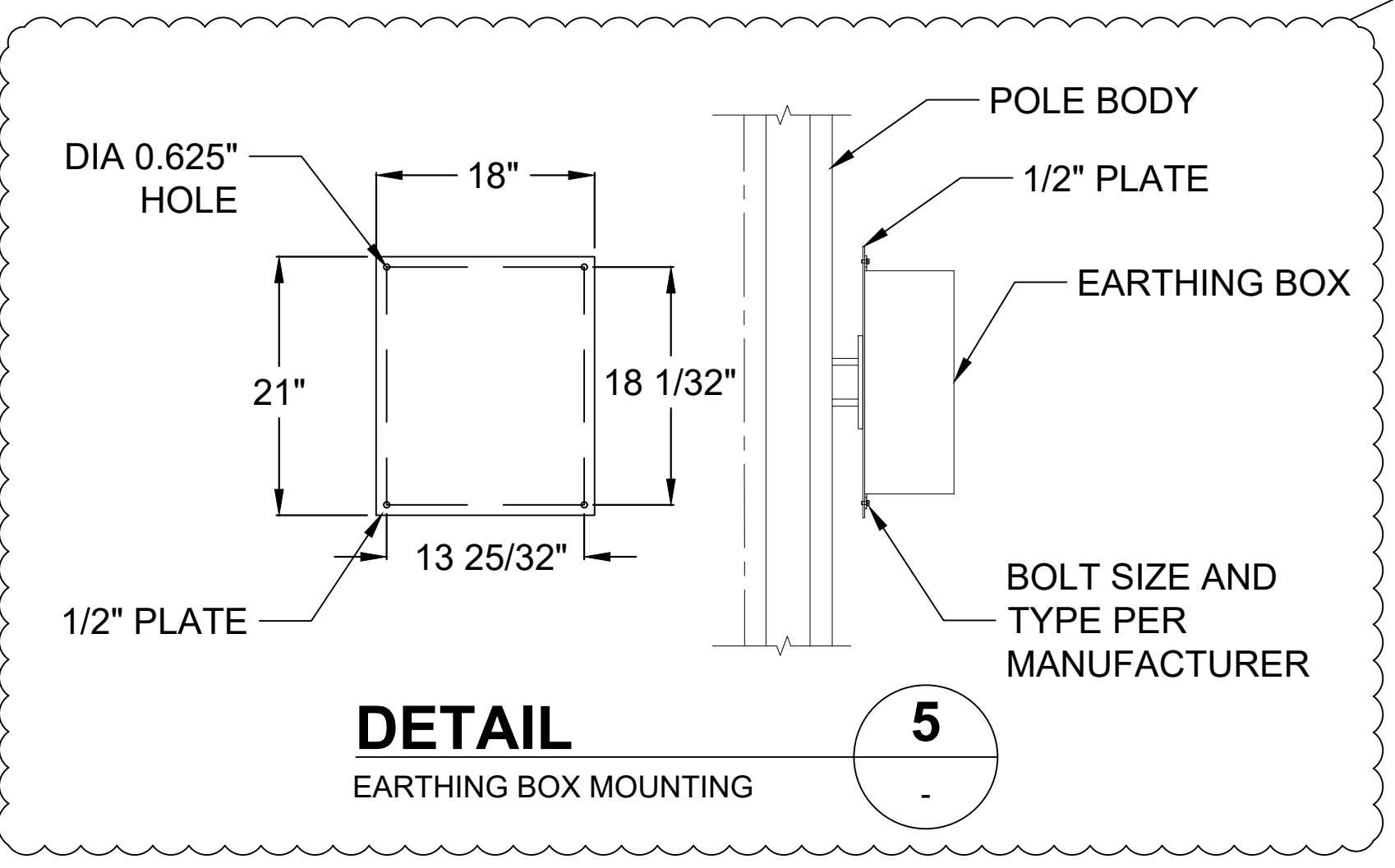
**DETAIL 2**  
TERMINAL SUPPORT



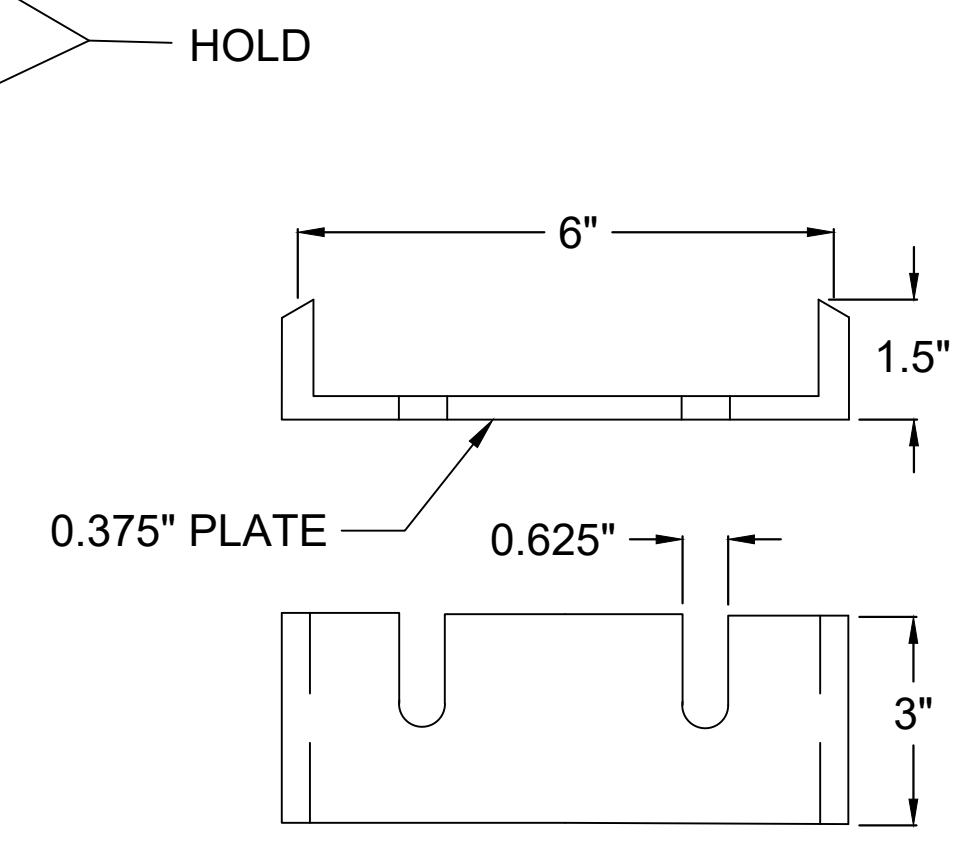
**DETAIL 3**  
SUPPORT BRACKET  
(FACE 1)



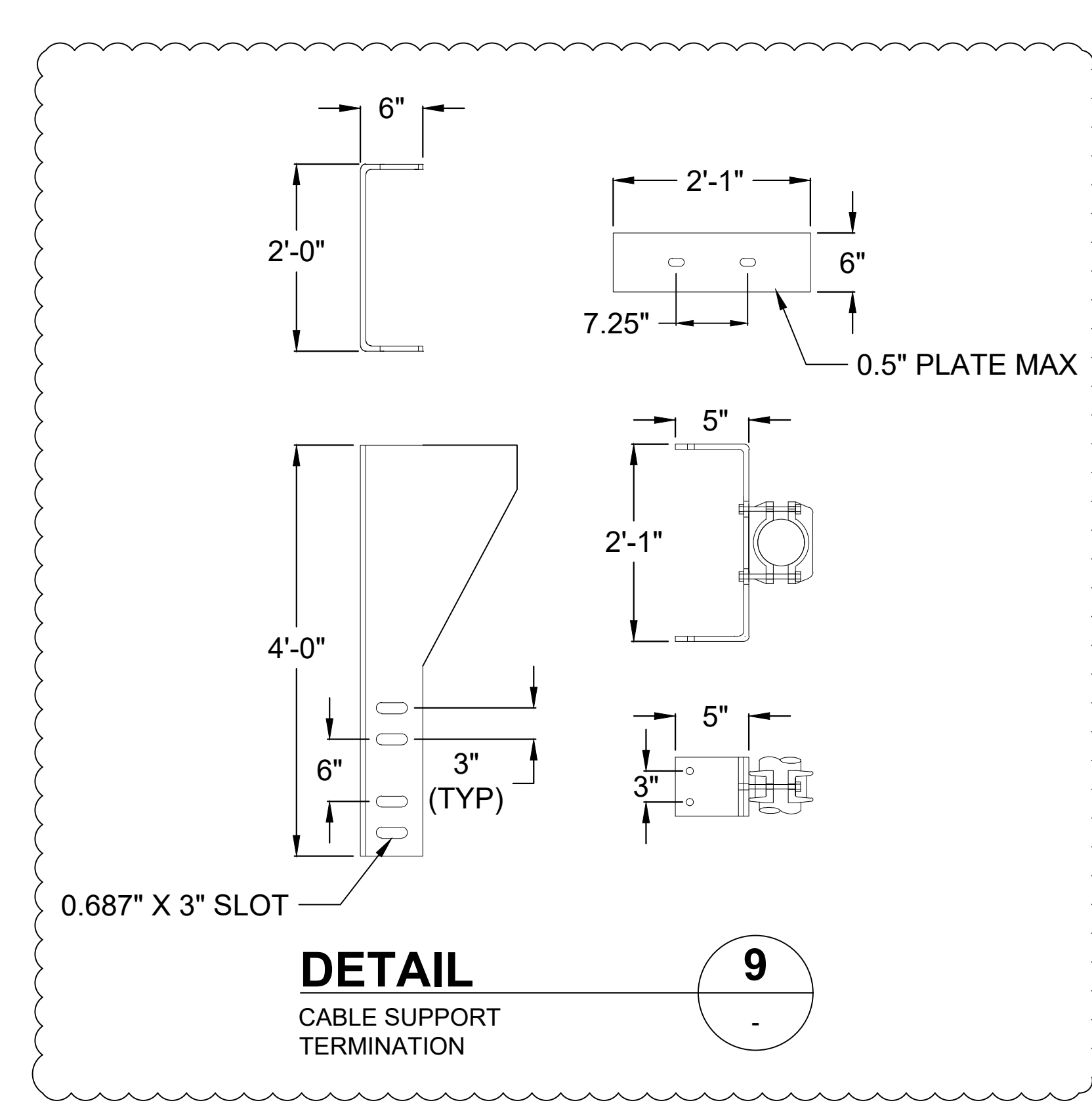
**DETAIL 4**  
CONDUCTOR VANG



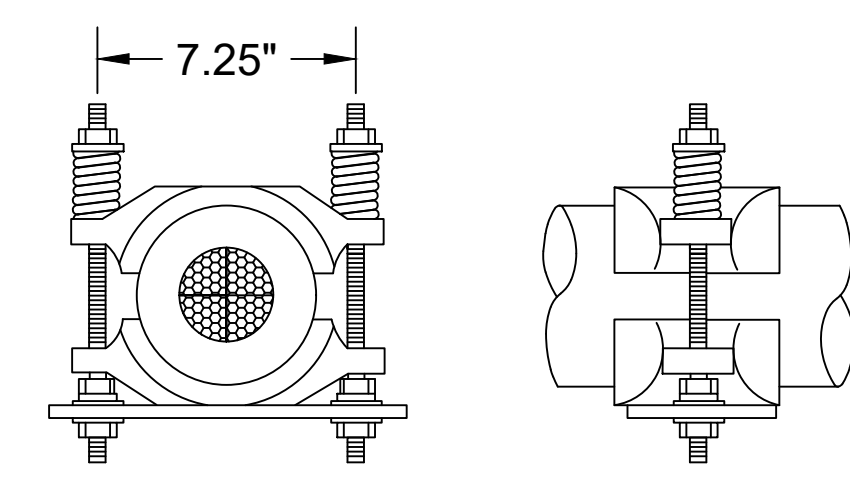
**DETAIL 5**  
EARTHING BOX MOUNTING



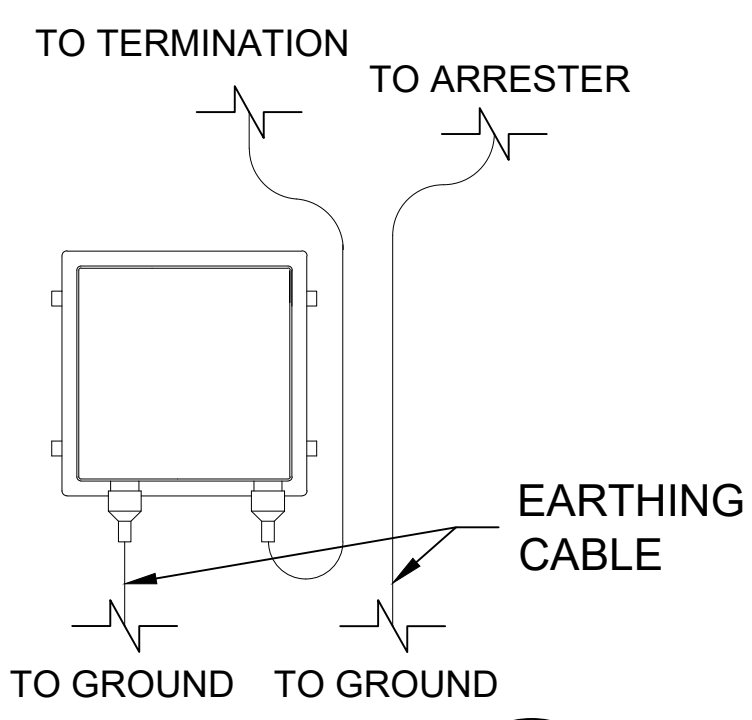
**DETAIL 6**  
DOUBLE BOND WIRE BRACKET



**DETAIL 9**  
CABLE SUPPORT  
TERMINATION



**DETAIL 7**  
CABLE CLAMP  
(BY CABLE MANUFACTURER)



**DETAIL 8**  
EARTHING BOX GROUNDING  
(BY CABLE MANUFACTURER)

**PRELIMINARY**  
NOT FOR CONSTRUCTION

NO	DATE	REVISIONS AND RECORD OF ISSUE	DRWN	REV'D	APPR	COMP	APP'D	KVP	DATE	12/13/2019
C	06/18/2020	PRELIMINARY - ISSUED FOR REVIEW	DIV	JDJ	KVP	S&L				
B	02/27/2020	PRELIMINARY - ISSUED FOR BID	DIV	JDJ	KVP	S&L				
A	12/13/2019	PRELIMINARY - EMCP	DIV	JDJ	KVP	S&L				

SCALE:  
**NONE**

CONTRACTOR/INSTALLER SHALL TAKE ALL APPROPRIATE PRECAUTIONS TO ENSURE THE SAFETY OF ALL PEOPLE LOCATED ON THE WORK SITE, INCLUDING CONTRACTOR'S /INSTALLER'S PERSONNEL (OR THAT OF IT'S SUB-CONTRACTOR(S)) PERFORMING THE WORK.

ANY MODIFICATION OR ADDITION TO THIS DRAWING BY ANY ORGANIZATION OTHER THAN SARGENT & LUNDY IS NOT THE RESPONSIBILITY OF SARGENT & LUNDY.



NEXTERA ENERGY TRANSMISSION NEW YORK, INC  
EMPIRE STATE LINE  
345 KV TRANSITION STRUCTURE  
DETAILS

13666-003-T1-0277