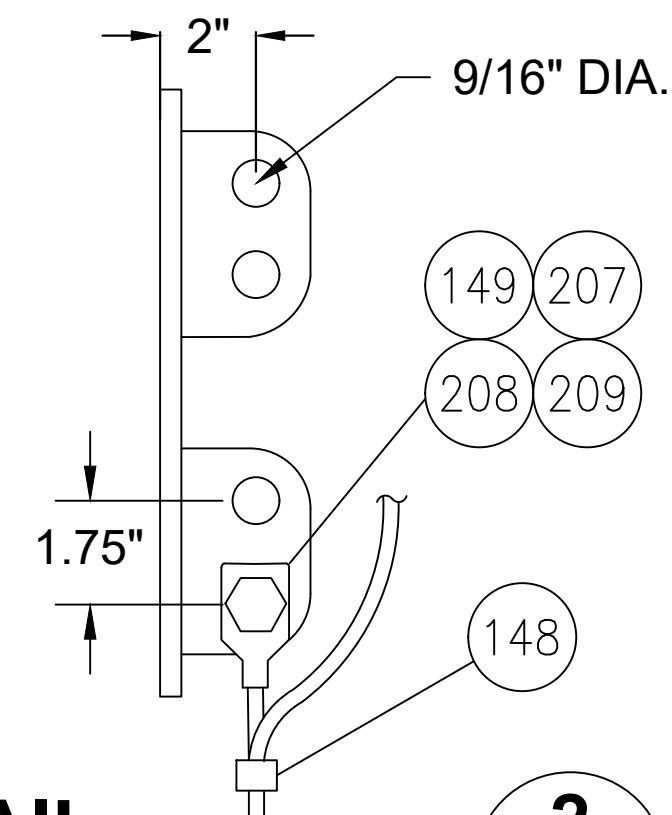
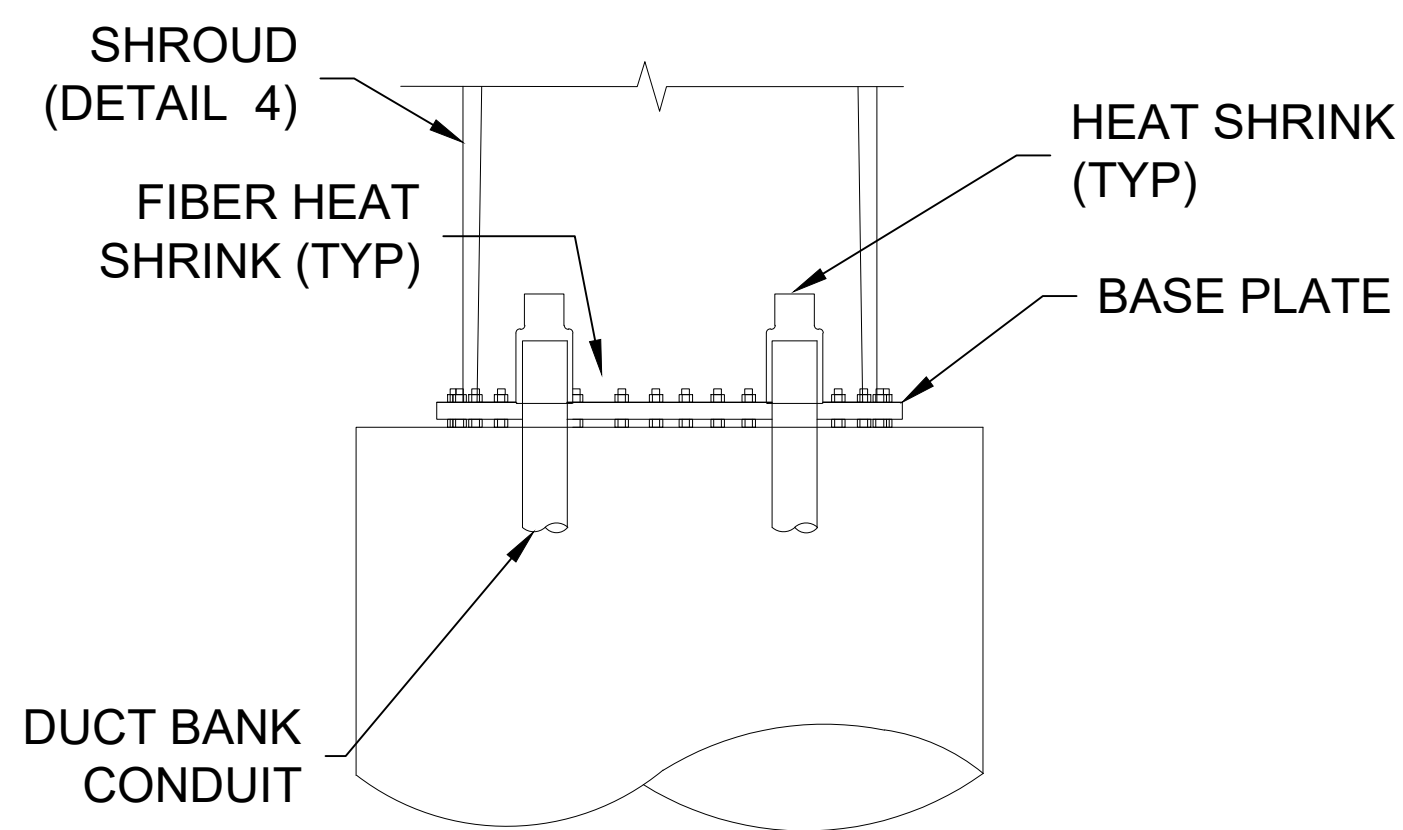


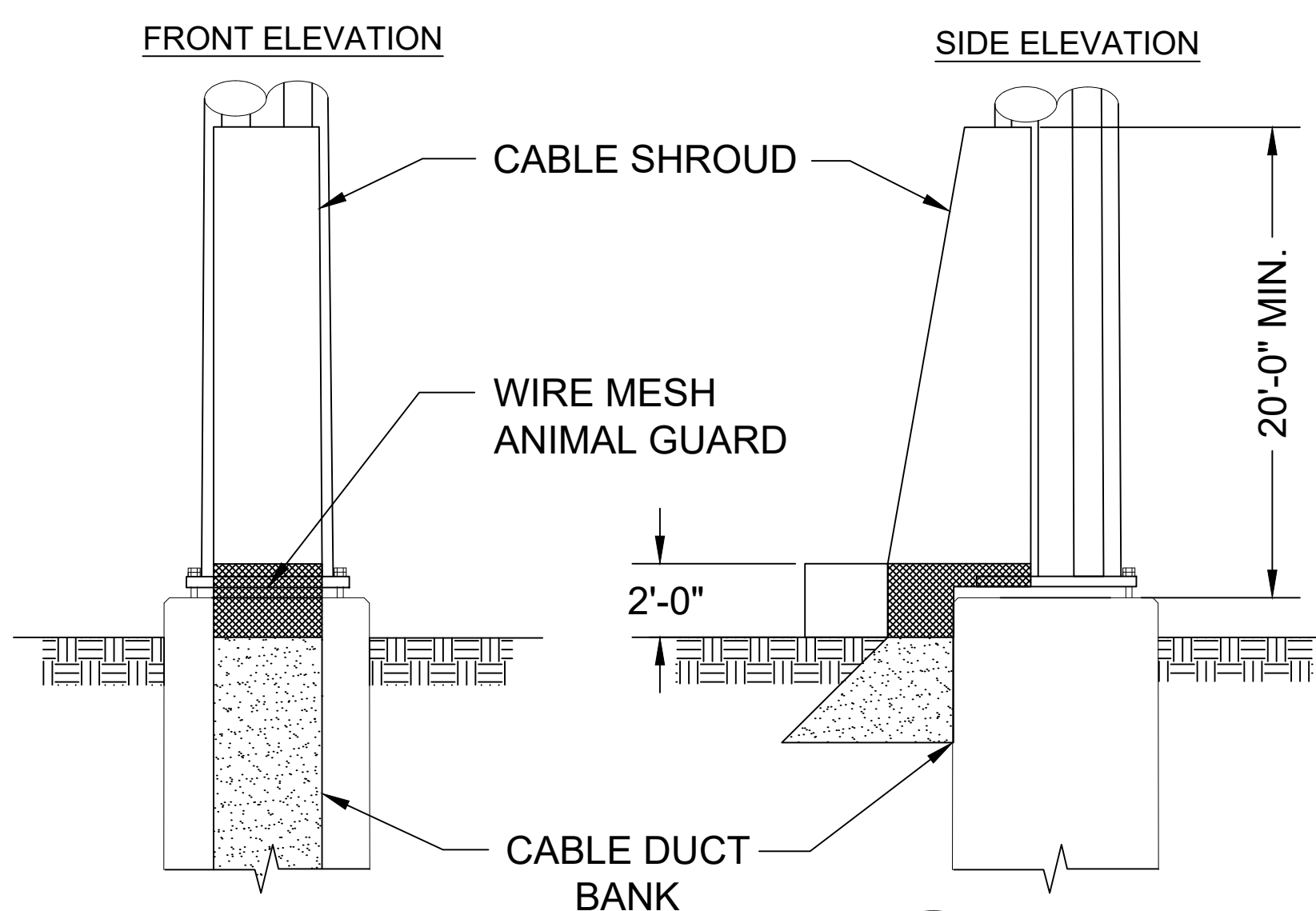
**DETAIL**  
DEADEND ASSEMBLY  
ELEVATION VIEW



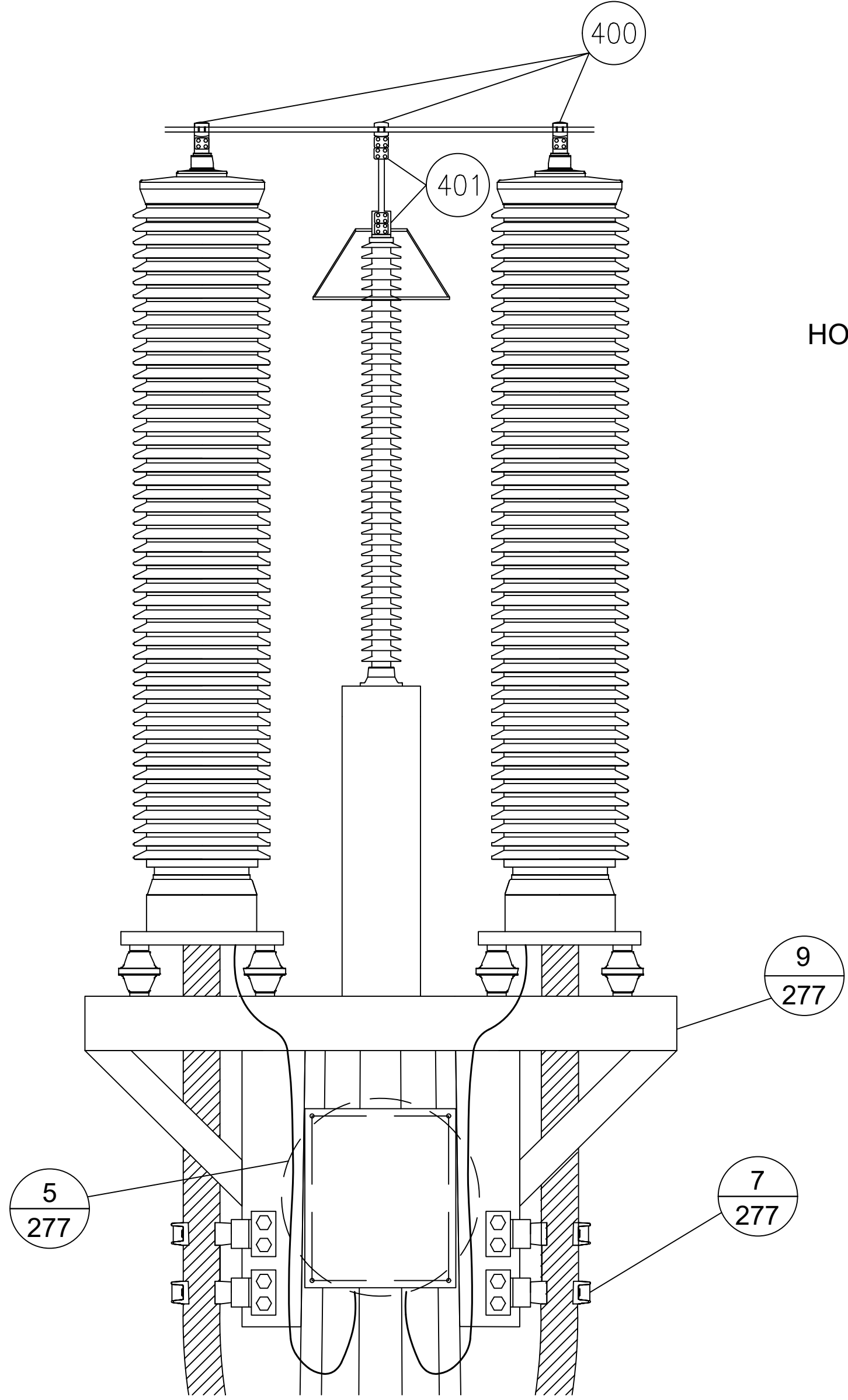
**DETAIL**  
GROUNDING TAB  
4 LOCATIONS



**DETAIL**  
CABLE CONDUIT  
(BY OTHERS)



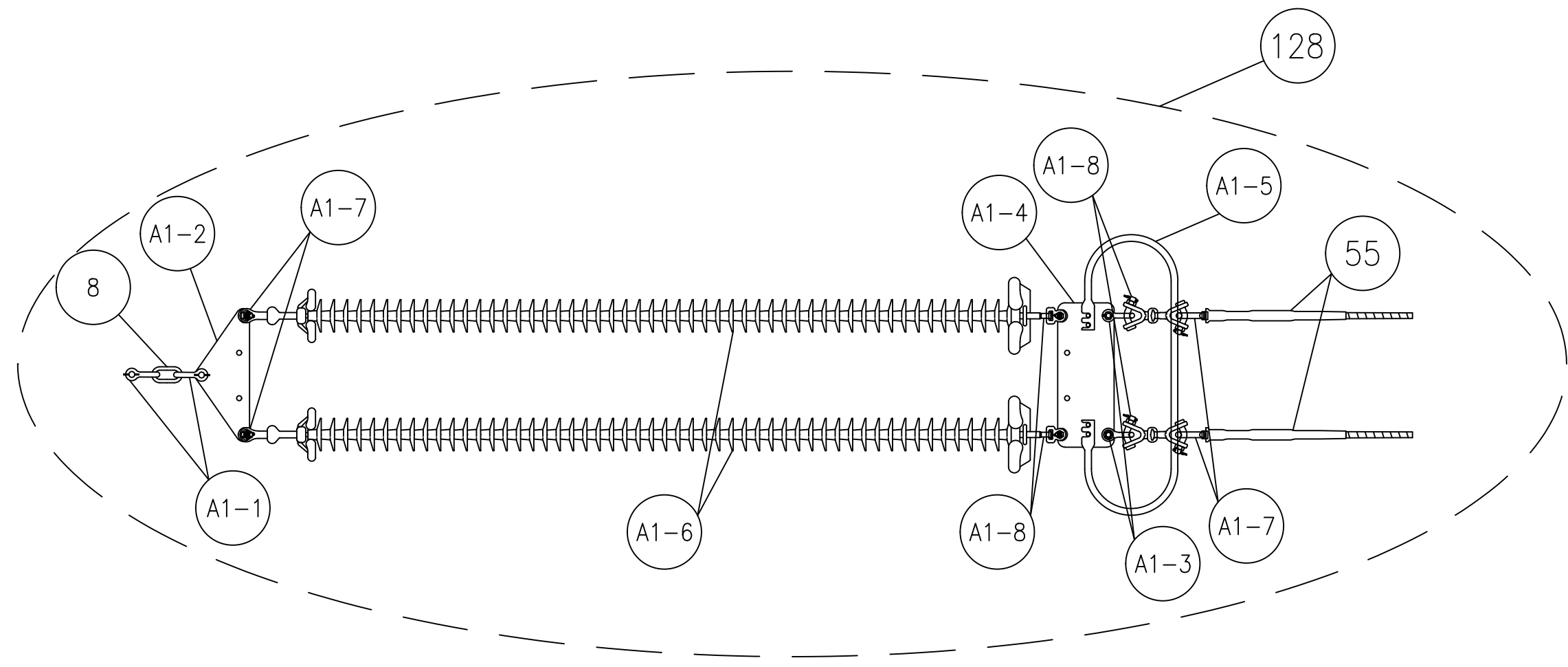
**DETAIL**  
CABLE SHROUD



**DETAIL**  
TERMINATION CONNECTION

BILL OF MATERIAL				
ITEM #	QTY	UNIT	DESCRIPTION	MANUFACTURER/PART #
8	6	EA	CHAIN LINK - 150K	MACLEAN CL-10
55	6	EA	DEADEND - COMPRESSION - VERTICAL - DRAKE	HUBBELL A012451SS
128	3	EA	345KV DEAD END INSULATOR ASSEMBLY A-1	MACLEAN BC-8445-7-5 OR LINDSEY R-24737
130	6	EA	345KV POLYMER SUSPENSION INSULATOR - 50K	NGK 502-SS1100-SK-43
148	4	EA	CONNECTOR: #6 - #2 CU - #6 - #2 CU, COMPRESSION C-TAP	BURNDY YGHC2C2
149	4	EA	CONNECTOR: #6 - #2 CU - #6 - #2 CU, COMPRESSION H-TAP	BURNDY YH2C2C
207	5	EA	1/2" LOCK WASHER, GALV	HUGHES BROS SLW50
208	5	EA	3/4" LOCK NUT, GALV	PORTLAND BOLT TBD
209	5	EA	1/2" HEX NUT, GALV	HUGHES BROS. HN50
210	5	EA	1/2" - 13x2" LONG BOLT, GALV	HUGHES BROS HB62-2
249	30	FT	FLEXIBLE GROUND WIRE SIZE TBD	ALL MAKES
271	3	EA	345 KV I-STRING JUMPER ASSEMBLY	MACLEAN BC8445-11
400	12	EA	BOLTED TEE TAP, 795KCMIL	SEFCOR ACF2HV-35-4B
401	8	EA	BOLTED TERMINAL, 795KCMIL STRAIGHT	HUBBELL ACF13D
409	HOLD	FT	350 KCMIL COPPER CABLE-JACKETED	ANY MANUFACTURER
ASSEMBLY A1 - 345KV DEADEND INSULATOR ASSEMBLY				
A1-1	2	EA	ANCHOR SHACKLE, 100K, 1-1/8" BOLT	MACLEAN ASH-89-BC
A1-2	1	EA	YOKE, TRIANGULAR, DEADEND, 100K	MACLEAN Y2DT100S1800
A1-3	2	EA	ANCHOR SHACKLE, WIDE, 60K	MACLEAN ASH-66-BC
A1-4	1	EA	YOKE, RECTANGULAR, DEADEND, 100K	MACLEAN Y2DR100S1800
A1-5	1	EA	CORONA RING, 345KV	MACLEAN ASM-522-6
A1-6	2	EA	INSULATOR, 345KV, 50K, POLYMER	MACLEAN S278145VG09
A1-7	4	EA	Y-CLEVIS BALL, 50K (ANSI 52-8 & 52-11)	MACLEAN YCB-78
A1-8	4	EA	SOCKET Y-CLEVIS, 50K	MACLEAN SYCR-87-S
ASSEMBLY A10 - 345KV I-STRING JUMPER ASSEMBLY				
A10-1	1	EA	ANCHOR SHACKLE	MACLEAN ASH-66-BC
A10-2	2	EA	SOCKET Y-CLEVIS	MACLEAN SYC-56
A10-3	1	EA	STEEL YOKE PLATE	MACLEAN Y2TT040S1800
A10-4	2	EA	90° Y-CLEVIS EYE	MACLEAN RYCI-65-1750
A10-5	2	EA	CORONA FREE CLAMP	MACLEAN CFC-143-N
A10-6	1	EA	INSULATOR	MACLEAN S54080134VGS052

- \*PARTS SHALL NOT BE SUBSTITUTED
- NOTES:**
- MATERIAL LIST QUANTITY IS TOTAL QUANTITY PER STRUCTURE, UNLESS NOTED OTHERWISE.
  - SUB-ASSEMBLY PART NUMBERS SHOWN FOR MACLEAN DEADEND ASSEMBLY ONLY.
  - ASSEMBLY A-1 MATERIAL LIST IS TOTAL PER ASSEMBLY.
  - CABLE SHROUD SHALL BE AT MINIMUM X'-X" WIDE, AT THE TOP SHROUD SHALL PROJECT X'-X" FOR THE CLOSEST FACE, AT THE BASE OF THE POLE SHROUD SHALL EXTEND X'-X" BEYOND THE BASE PLATE.
  - ALL UNDERGROUND CABLE AND CABLE ACCESSORIES INCLUDING GROUNDING/EARTHING CABLE SHALL BE SUPPLIED AND INSTALLED BY CABLE MANUFACTURER.
  - CABLE SHROUD, INCLUDING ALL REQUIRED HARDWARE FOR ATTACHMENT TO POLE, SHALL BE SUPPLIED BY POLE MANUFACTURER.



**ASSEMBLY**  
DEADEND INSULATOR  
ASSEMBLY

**PRELIMINARY**  
NOT FOR CONSTRUCTION

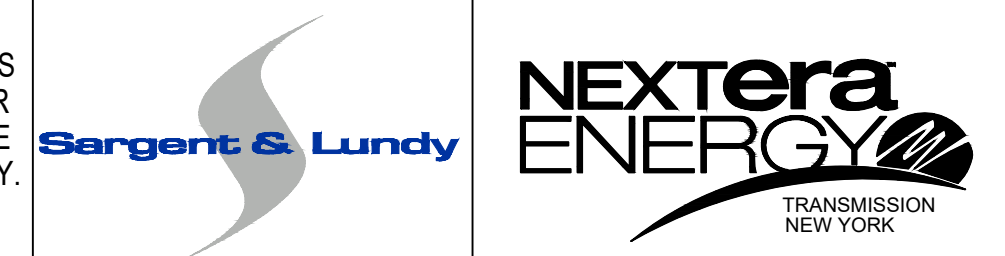
NO	DATE	REVISIONS AND RECORD OF ISSUE	DRWN	REV'D	APPR	COMP
C	06/18/2020	PRELIMINARY - ISSUED FOR REVIEW	DIV	JDJ	KVP	S&L
B	02/27/2020	PRELIMINARY - ISSUED FOR BID	DIV	JDJ	KVP	S&L
A	12/13/2019	PRELIMINARY - EMCP	DIV	JDJ	KVP	S&L

SCALE: NONE

CONTRACTOR/INSTALLER SHALL TAKE ALL APPROPRIATE PRECAUTIONS TO ENSURE THE SAFETY OF ALL PEOPLE LOCATED ON THE WORK SITE, INCLUDING CONTRACTOR'S /INSTALLER'S PERSONNEL (OR THAT OF IT'S SUB-CONTRACTOR(S)) PERFORMING THE WORK.

ANY MODIFICATION OR ADDITION TO THIS DRAWING BY ANY ORGANIZATION OTHER THAN SARGENT & LUNDY IS NOT THE RESPONSIBILITY OF SARGENT & LUNDY.

PREP: DIV CHKD: JDJ  
APPD: KVP DATE: 12/13/2019



NEXTERA ENERGY TRANSMISSION NEW YORK, INC  
EMPIRE STATE LINE  
345 KV TRANSITION STRUCTURE  
DETAILS  
13666-003-T1-0276